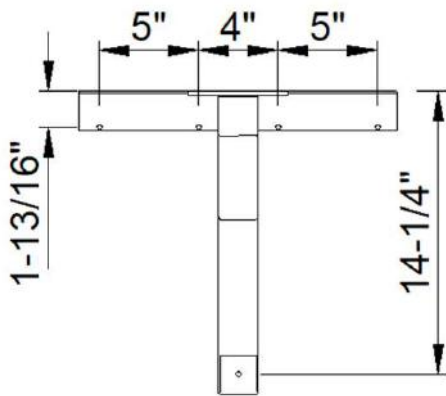


# Cantilever Base Planning

## Wall Bar

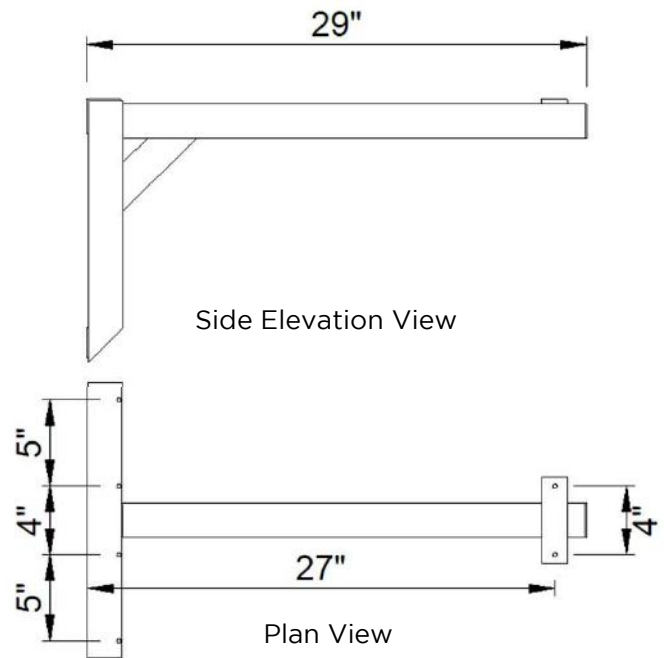
15.25" Wall Bar (All sizes)



Wall Elevation View

## 29" Table Support Bar

(For 42" - 48" L Tops)

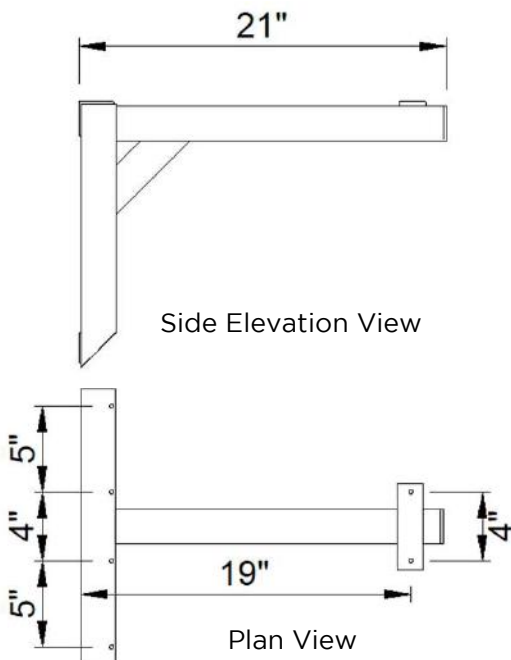


Side Elevation View

Plan View

## 21" Table Support Bar

(For 30" - 36" L Tops)

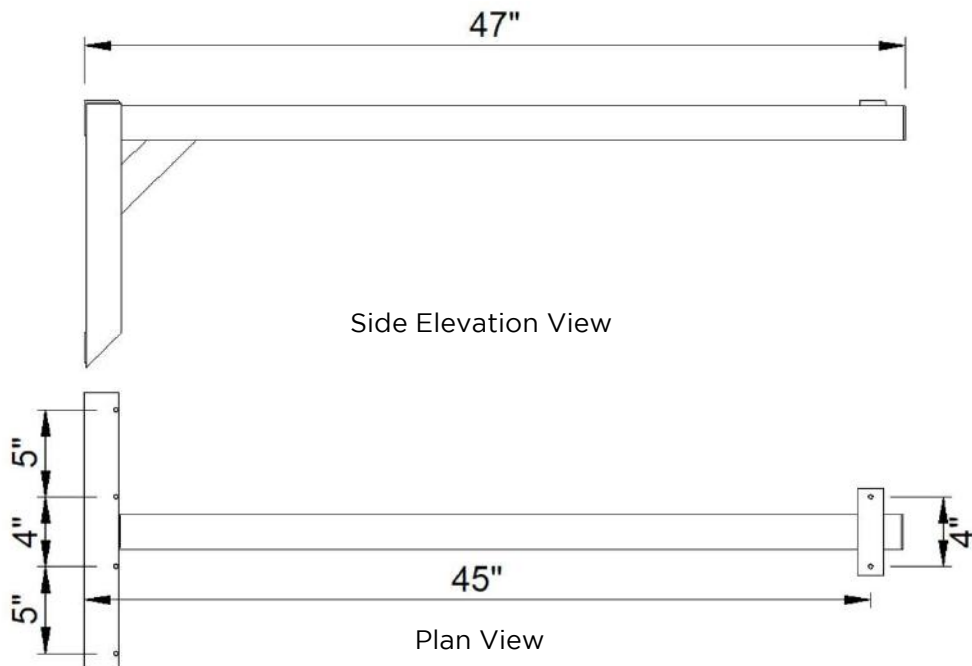


Side Elevation View

Plan View

## 47" Table Support Bar

(For 60" - 96" L Tops)



Side Elevation View

Plan View